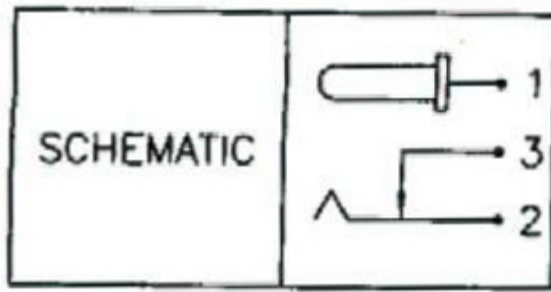
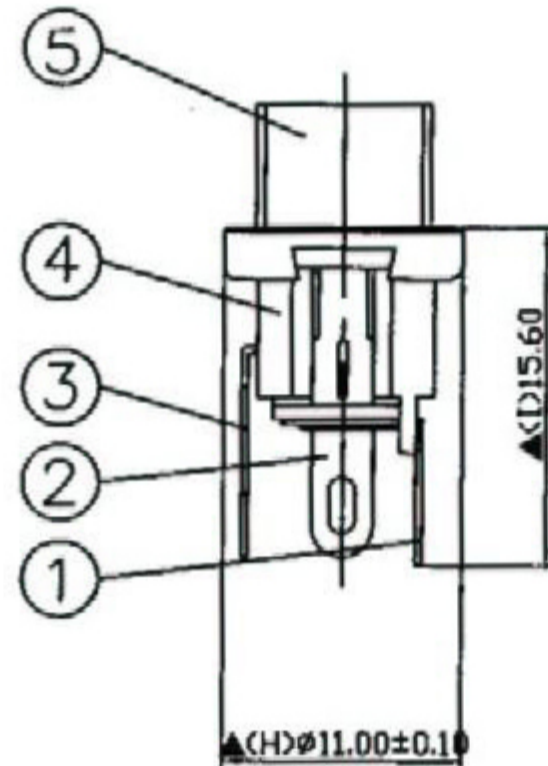
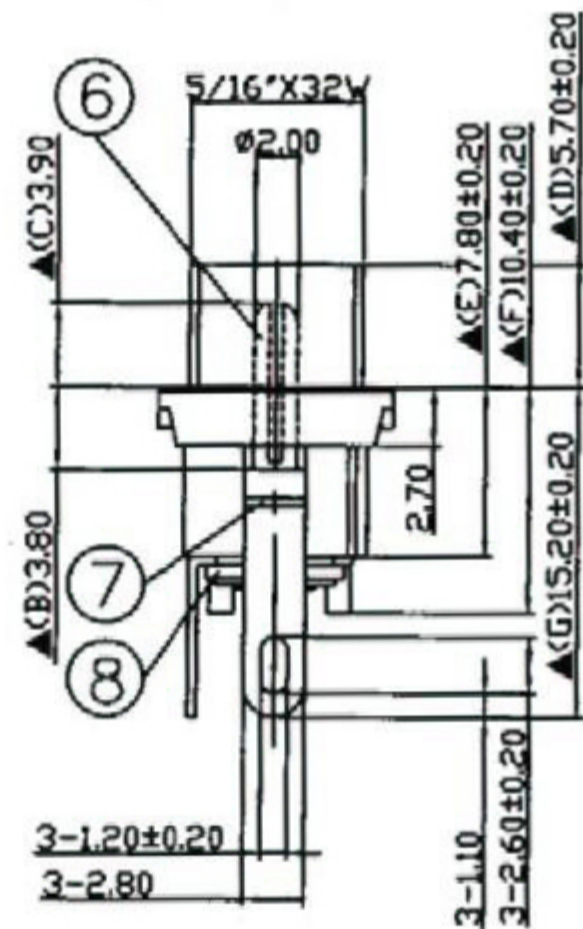
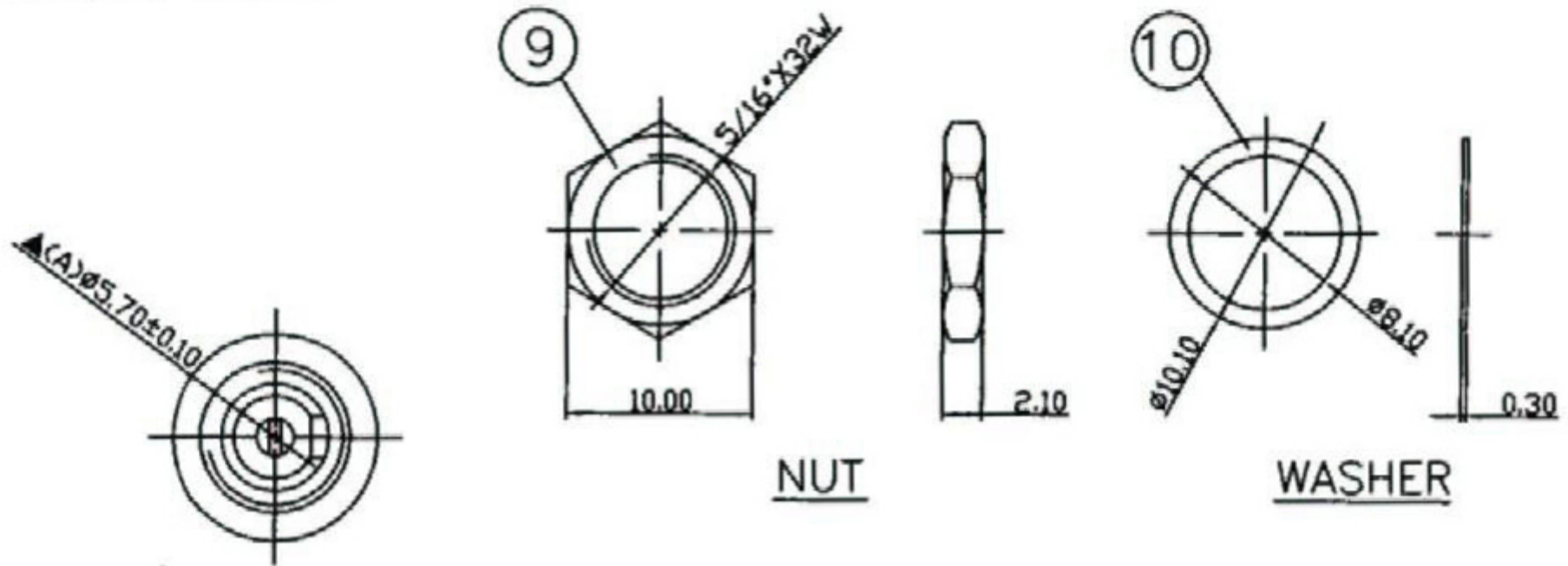


DC//CHASS



SPECIFICATIONS:
 Contact Resistance : 30mΩ max
 Insulation Resistance : 100MΩ min. at DC 500V
 Dielectric Withstand Voltage : AC 500V for one minute
 Remark: ▲ : The Most Important Dimension



10.	Washer	0.3T Steel	1	Nickel Plated
9.	Nut	2.1T Brass	1	Nickel Plated
8.	Insulator B	Red Vulcanited Fibre	1	Red Color
7.	Insulator A	Red Vulcanited Fibre	1	Red Color
6.	Pin(2.0φ)	Copper	1	Nickel Plated
5.	Bushing	Brass	1	Nickel Plated
4.	Housing	PBT	1	Black Color
3.	Break Terminal	0.3T Brass	1	Silver Plated
2.	Sleeve Spring	0.4T Phosphor Bronze	1	Silver Plated
1.	Pin Terminal	0.3T Brass	1	Silver Plated
NO.	Description	Material	Q'TY	Finish